

Lattoflex 200 and Lattoflex 900

Replacement spring elements

suitable for all Lattoflex 200 and Lattoflex 900
spring base systems from year of manufacture 2013



Frame width 80 - 100 cm



Frame width 101 - 140 cm

Operating instructions

Important document. Please keep in a safe place.

Digital operating instructions:



lattoflex[®]

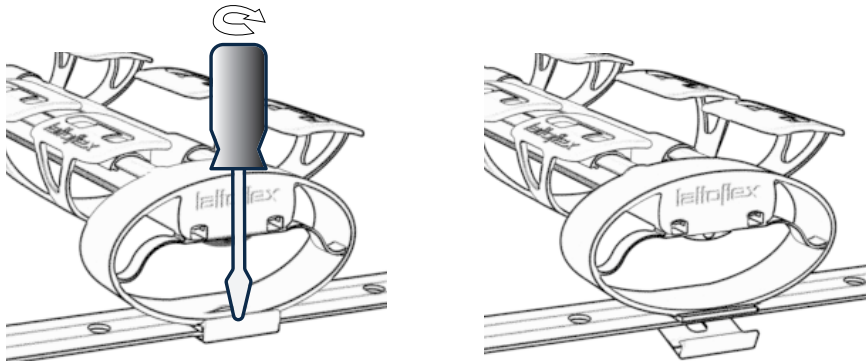
Replacement spring elements

You can replace defective parts with a single spring element as a spare part. The replacement can usually be carried out directly in the bed after removing the mattress.

Note: The spring element for Lattoflex 200 and 900 is available in 2 versions, see illustration. On front page: up to frame width 100 cm and from frame width 101 cm, please make sure you have the right spare part.

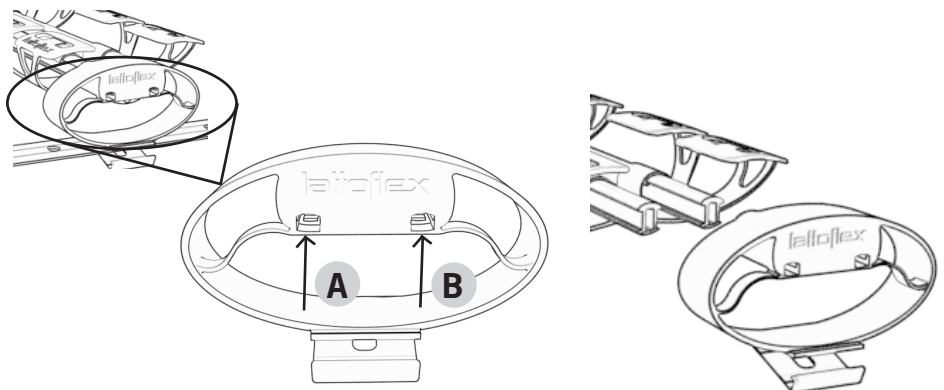
Dismantling double section

1. Insert the screwdriver firmly into the slot and turn through 90°.
2. Open the clamp by hand and remove the spring element from the mounting profile. Repeat this process on the other side of the bed.



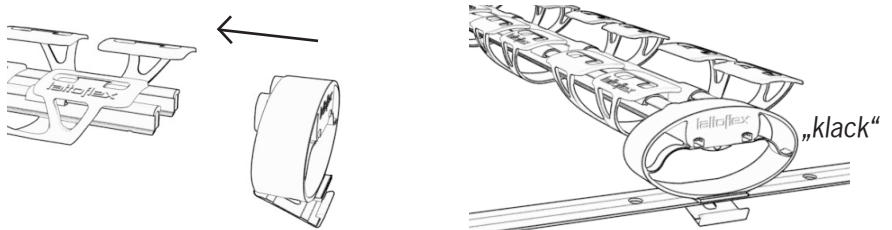
3. Release two internal snap-in hooks on the profile holder at the same time. (see A and B).

Tip: Work with two slotted screwdrivers at the same time or break out the snap-in hooks one after the other. With a little patience and practice, this is easy to do.



Install new spring element

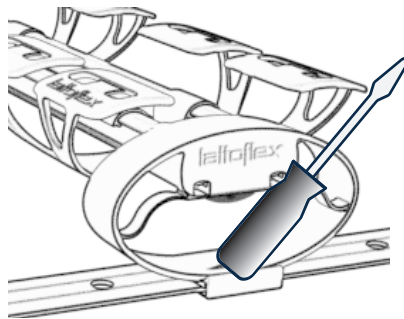
4. Push on the new spring element until it clicks into place and both support profiles are engaged.




Place the double section on the mounting profile


5. Carefully bend open the clamp and fix the spring element in the drill hole. Then close the clamp.

Tip: Press firmly from above with a tool.



Scope of delivery

Lattoflex 200 or 900 up to 100 cm width		Set	
Spring element 200	1 Piece	10 Piece	
Spring block 2	1 Piece	10 Piece	

Lattoflex 200 or 900 from 101 cm width		Set	
Spring element 200	1 Piece	10 Piece	
Spring block 2	1 Piece	10 Piece	

Thomas GmbH+Co. Sitz- und Liegemoebel KG · Walkmuehlenstrasse 93 · D-27432 Bremervoerde
 Phone + 49 (0) 4761/979-0 · Fax + 49 (0) 4761/979-161 · E-Mail: info@lattoflex.com

www.lattoflex.com