

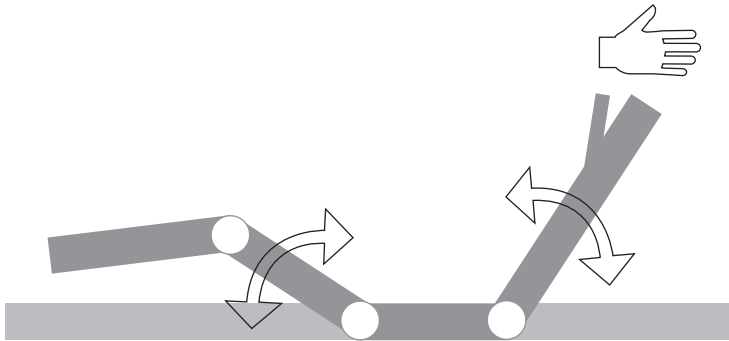
# Motor frames



**Lattoflex 282/382/982**

**Lattoflex 282-QZ/382-QZ/982-QZ**

**2-Motors**



## Installation and operating instructions

Important document. Please keep in a safe place.

Here you can find more information, details and videos about your product. Digital operating instructions:



[www.lattoflex.com/service/x82](http://www.lattoflex.com/service/x82)

**lattoflex**

# Installation and operation

## 1 Placing in a bed

Please heed the necessary space for the adjustable frame parts, e.g. in rooms with inclined roofs, superstructures over the bed or padded head sections. An installation depth of approx. 14 cm (floor clearance) is needed in the substructure for the adjustment mechanism and drive system.

Please always heed the spacing of the back part with its motorised adjustment, to the head part of the bed. There should be spacing of at least 1.5 cm here when the bed is laid flat. To rule out any unintentional slipping, frame can be screwed to the bed at the pre-drilled points in the metal substructure.

Side support sections must not exceed 4 cm in width (middle frame 8 cm). The motor frame must always fit in the bed without any tension.

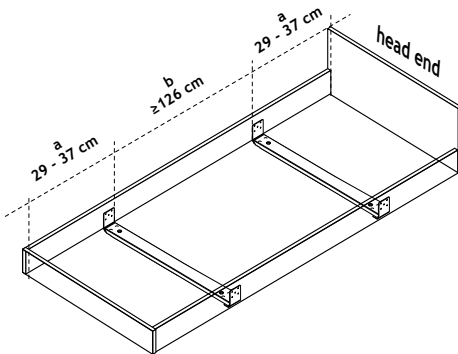
For beds with triangular supports (leg length max. 15 cm), please use the „Extension elements“ installation kit (available as accessory). For a stable bed structure, we always recommend a supporting point in the middle of the bed for triangular supports.

## 2 Insert version QZ in cross-frame beds

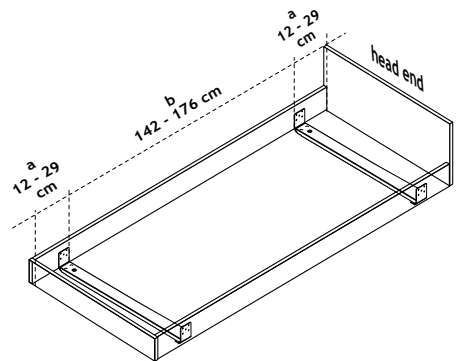
Dimension a = 29 - 37 cm: Insert directly.

Dimension a = 12 - 29 cm: Use extension elements QZ (order separately).

Version QZ without  
extension elements

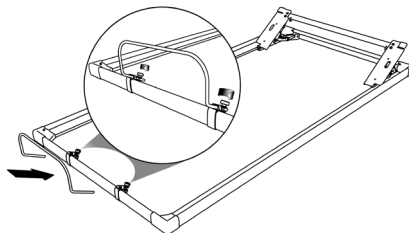


Version QZ with  
extension elements



## 3 Mattress holder

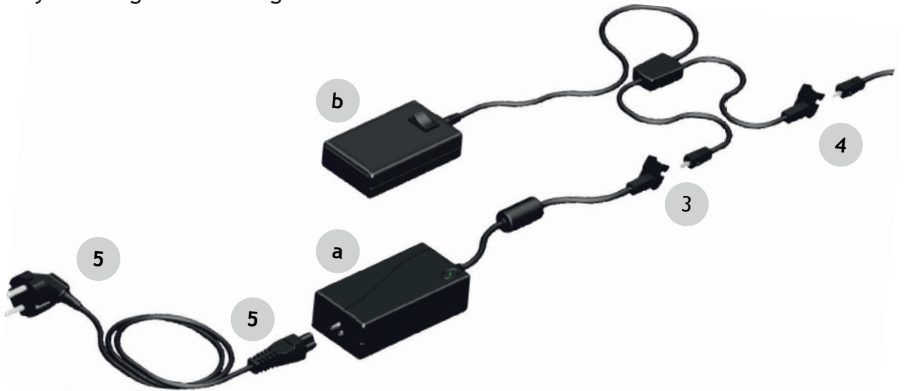
Attach the supplied holder at the foot end. The plastic clare premounted.



## 4 Connection and commissioning

Please proceed as follows to commission your motor frame:

- 1 Transport protection: Remove the velcro fastenings and the card-boards under the frame.
- 2 Hinge up the foot part of the frame, access to the black fabric pocket. (Connection accessories and remote control). Remove the power adapter unit and the battery lowering from the bag.
- 3 Connect the power adapter **a** with the battery lowering **b**.
- 4 Connect to the motor frame.
- 5 Connect to the mains supply.
- 6 Connect the cable hand switch to the control box. The motor frame can now be adjusted using the cable hand switch.



## 5 Adjust the settings

- 1 All drives up at the same time
- 2 All drives down at the same time
- 3 Back adjustment up
- 4 Back adjustment down
- 5 Leg adjustment up
- 6 Leg adjustment down

Use the buttons to 1 to 6. The corresponding drive moves as long as you press and hold a button.

In the event of a power cut, press and hold the button on the remote control and the button on the battery compartment.

After use: check/replace the batteries.



## 6 Safety instructions

Do not climb on the frame when it is being adjusted and when it is raised. The frame is designed so that it normally poses no risk of getting clamped or crushed during operation. Even so, please make sure that there is nobody, in particular no child, under the frame or in a position to reach into the mechanism when raising or lowering the frame. Lattoflex 282, 382 and 982 are inlay frames for bed structures. They are only intended for use according to the conditions stated in these instructions and only for domestic use.

Make sure that the cables are never clamped, placed over sharp edges or crushed between moving parts of the frame. Only use original parts to replace damaged connection leads. Shortening the support beams or dismantling attachment parts poses a risk of damage.

Do not store any items under the frame. Bedding in particular can be damaged by the motors.